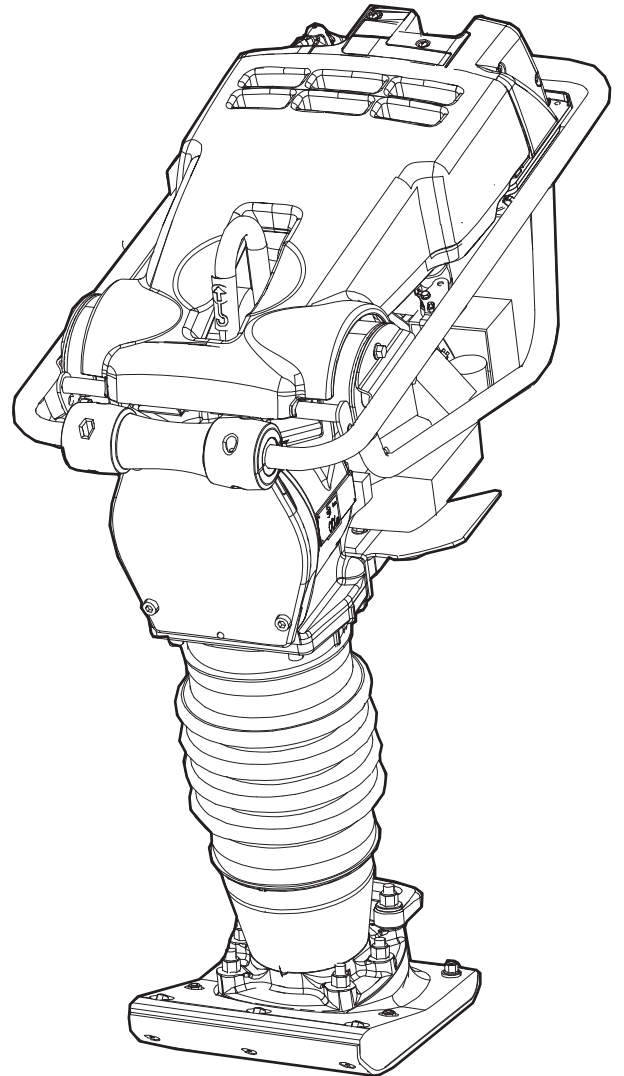


Spare parts list

Rammer

	Valid from serial number
LT 7000 280 mm (11 in.)	77102376
LT 7000 280 mm (11 in.)	BGF000001



Contents

General information.....	5
Spare parts list.....	6
Handle.....	6
Transmission.....	8
Spring unit.....	10
Foot 280 mm (11 in.).....	12
Extended foot.....	14
Engine installation.....	16
Engine, Honda GX 120 RT2 KRS6 SD.....	18
Fuel tank.....	22
Labels.....	26
Kits.....	28
One year service kit.....	28
Shock absorber repair kit.....	28
Transmission repair kit.....	29
Spring unit repair kit.....	29
Foot 280 mm (11 in.) repair kit.....	30
Extended foot kit.....	31
Silent foot 280 mm (11 in.) kit.....	32

General information

This spare parts list applies to the following:

Part number	Description
3382 0000 52	Rammer LT 7000 280 mm (11 in.)

Use only authorized parts. Any damage or malfunction caused by the use of unauthorized parts is not covered by Warranty or Product Liability. Any unauthorized use or copying of the contents or any part thereof is prohibited. This applies in particular to trademarks, model denominations, part numbers, and drawings.

Instructions for use

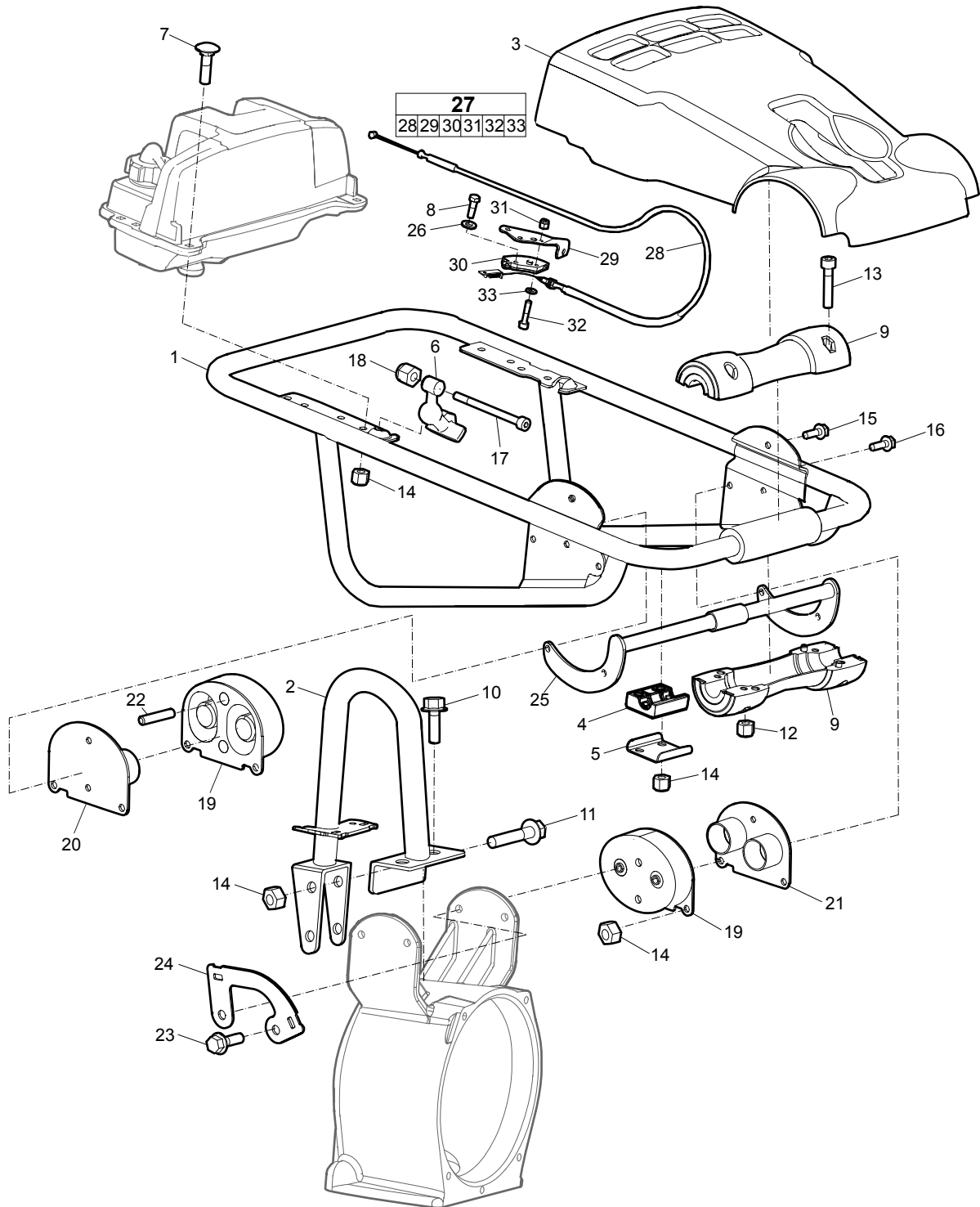
This spare parts list contains no safety regulations and is merely intended to assist in the ordering of spare parts.

For information about operating, servicing, or repairing, the relevant Safety and operating instructions must be consulted at all costs.

Please observe the safety instructions listed in the relevant Safety and operating instructions!

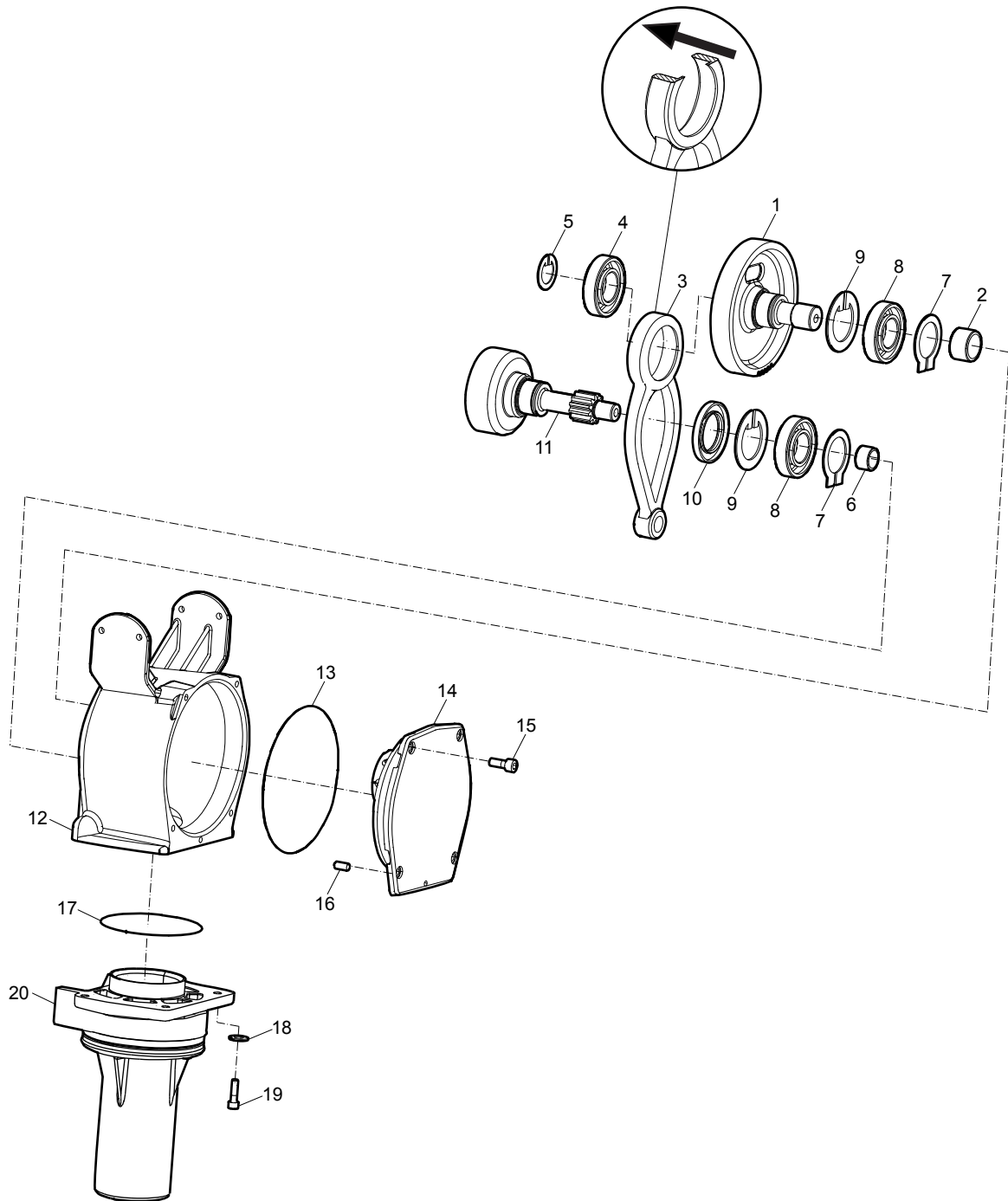
Spare parts list

Handle



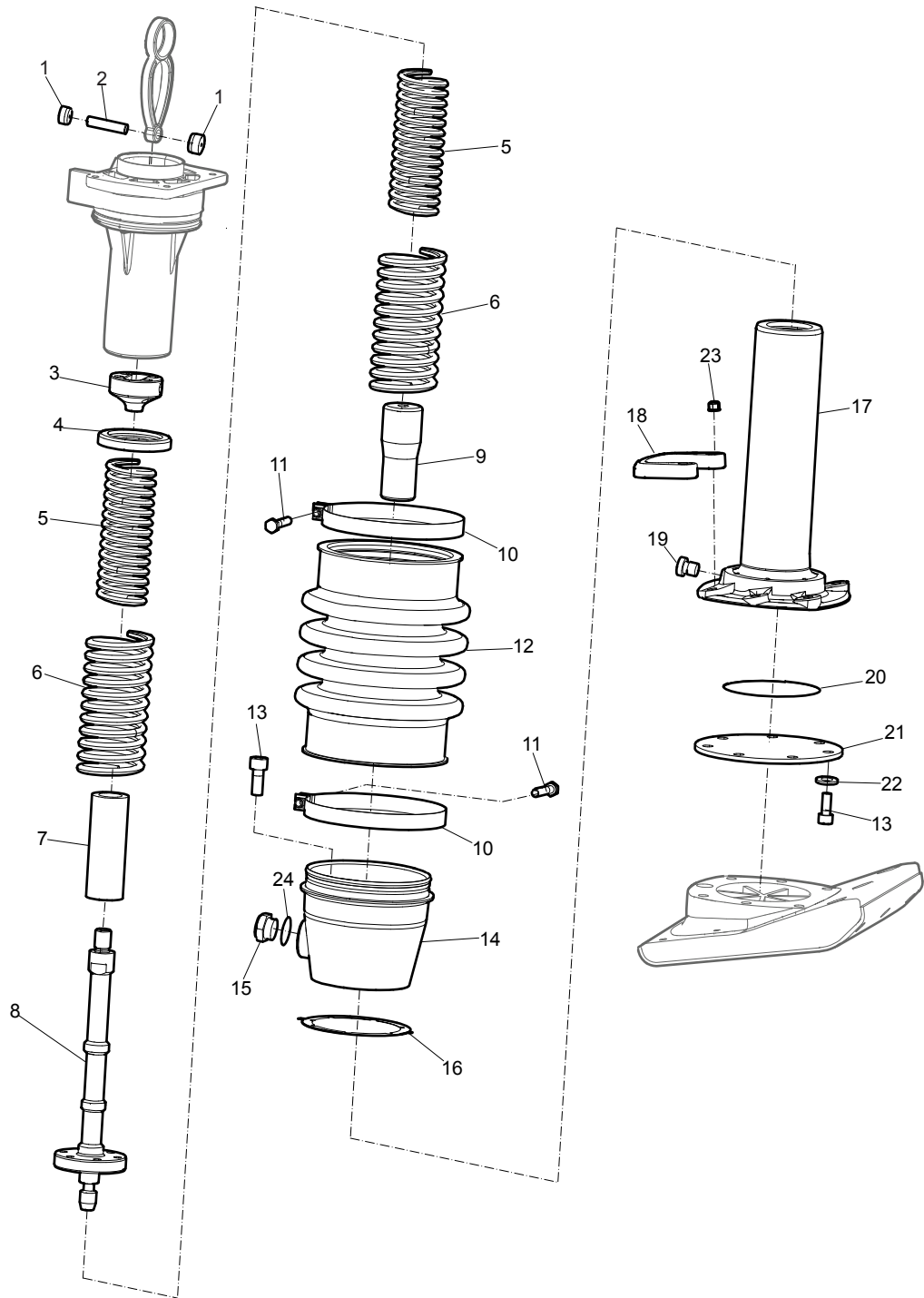
No.	Description	Remark	Quantity	Part number
1	Handle		1	3382 0105 35
2	Lifting lug		1	3382 0110 76
3	Hood		1	3382 0105 36
4	Bracket		2	4700 3849 51
5	Plate		2	4700 3849 42
6	Hood lock		2	4700 3874 23
7	Screw	M8 x 30 mm 8.8	6	-
8	Screw	M5 x 16 mm 8.8 A2K	1	-
9	Roller		2	4700 3844 96
10	Screw	M10 x 30 mm 8.8 A3K	2	-
11	Screw	M8 x 50 mm 8.8 A2K	2	-
12	Nut	M6 ISO7040	4	-
13	Screw	M6 x 30 mm 8.8 A2K	4	-
14	Nut	M8 x 1.25 mm A2K	16	-
15	Screw	M8 x 20 mm 8.8 A2K	4	-
16	Screw	M8 x 25 mm 8.8 A2K	4	-
17	Screw	M5 x 50 mm 8.8 A2K	2	-
18	Nut	M5 ISO7040	2	-
19	Shock absorber		2	4700 3867 85
20	Angle stop	Right	1	4700 3867 87
21	Angle stop	Left	1	4700 3867 86
22	Cylindric pin	10 x 18 mm	4	4700 7913 23
23	Screw	M8 x 30 mm 8.8 A2K	4	-
24	Bracket		1	4700 3874 92
25	Bracket		1	3382 0102 12
26	Washer	5.3 x 10 x 1 mm 0.21 x 0.39 x 0.04 in. 300 HV	1	-
27(28-33)	Throttle cable, complete		1	4700 3900 88
28	Control cable		1	-
29	Bracket		1	4700 3900 89
30	Holder		1	-
31	Nut	M4 ISO7040	1	-
32	Screw	M4 x 20 mm 8.8 A2K	1	-
33	Washer	0.17 x 0.31 x 0.8 mm 0.47 x 0.87 x 0.03 in. 300 HV	1	-

Transmission



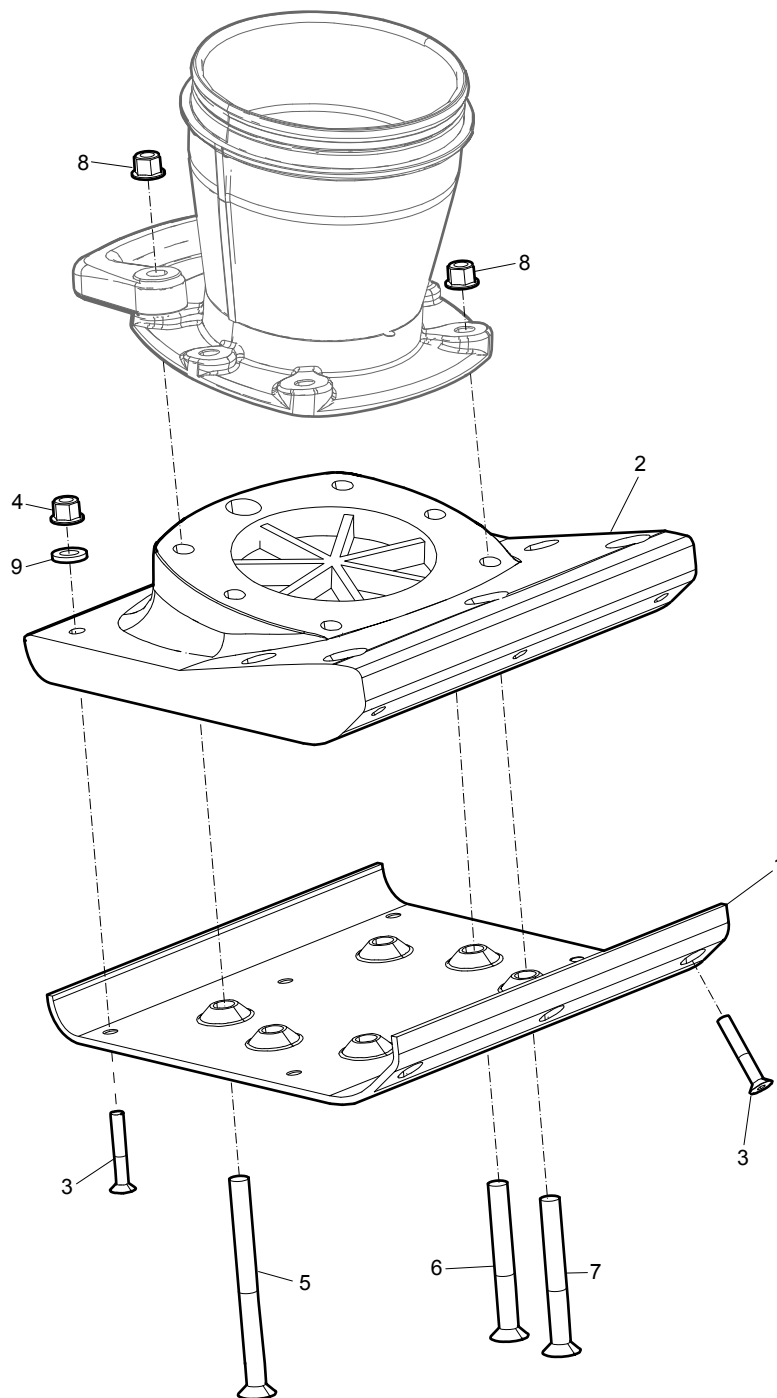
No.	Description	Remark	Quantity	Part number
1	Gear wheel		1	4700 3809 06
2	Needle bearing		1	4700 9049 50
3	Connecting rod		1	4700 3809 20
4	Ball bearing		1	4700 1110 78
5	Retaining ring		1	4700 1500 09
6	Needle bearing		1	4700 9049 49
7	Retaining ring		2	4700 1500 14
8	Bearing		2	4700 9035 20
9	Retaining ring		2	4700 1510 25
10	Sealing		1	4700 9049 52
11	Shaft		1	4700 3814 77
12	Crankcase		1	4700 3884 03
13	O-ring	210 x 3 mm 8.27 x 0.12 in. (70 shore)	1	4700 1601 06
14	Cover		1	4700 3773 32
15	Screw	M10 x 25 mm 8.8 A3K	4	-
16	Pin		1	4700 6280 06
17	O-ring	104.5 x 3 mm 4.11 x 0.12 in. (70 shore)	1	4700 1600 35
18	Washer	10.5 x 22 x 2 mm 0.41 x 0.87 x 0.08 in. 300 HV	4	-
19	Screw	M10 x 35 mm 8.8 A3K	4	-
20	Outer tube		1	4700 3884 07

Spring unit



No.	Description	Remark	Quantity	Part number
1	Plug		2	4700 3814 82
2	Piston bolt		1	4700 3814 79
3	Piston rod head		1	4700 3819 61
4	Lid		1	4700 3836 81
5	Spring	59 x 225 mm 2.32 x 8.86 in.	2	4700 3808 95
6	Spring	81 x 225 mm 3.20 x 8.86 in.	2	4700 3808 94
7	Stop		1	4700 3808 99
8	Piston rod		1	4700 3836 68
9	Stop		1	4700 3809 02
10	Hose clamp		2	4700 2836 31
11	Screw	M8 x 40 mm 8.8 A2K	2	-
12	Bellows		1	4812 0705 41
13	Screw	M8 x 20 mm 8.8 A2K	12	-
14	Bellows support		1	4700 3884 09
15	Sight plug		1	4700 7913 95
16	Gasket		1	4700 3836 66
17	Inner tube		1	4700 3836 69
18	Handle		1	4700 3844 16
19	Plug		1	4700 9049 51
20	O-ring	129.5 x 3 mm 5.10 x 0.12 in. (70 shore)	1	4700 1600 54
21	Lid		1	4700 3823 69
22	Seal ring		6	4700 1620 09
23	Nut	M8 x 1.25 mm A2K	2	-
24	Fiber washer	27 x 32 x 2 mm 1.06 x 1.26 x 0.08 in.	1	4700 7913 76

Foot 280 mm (11 in.)

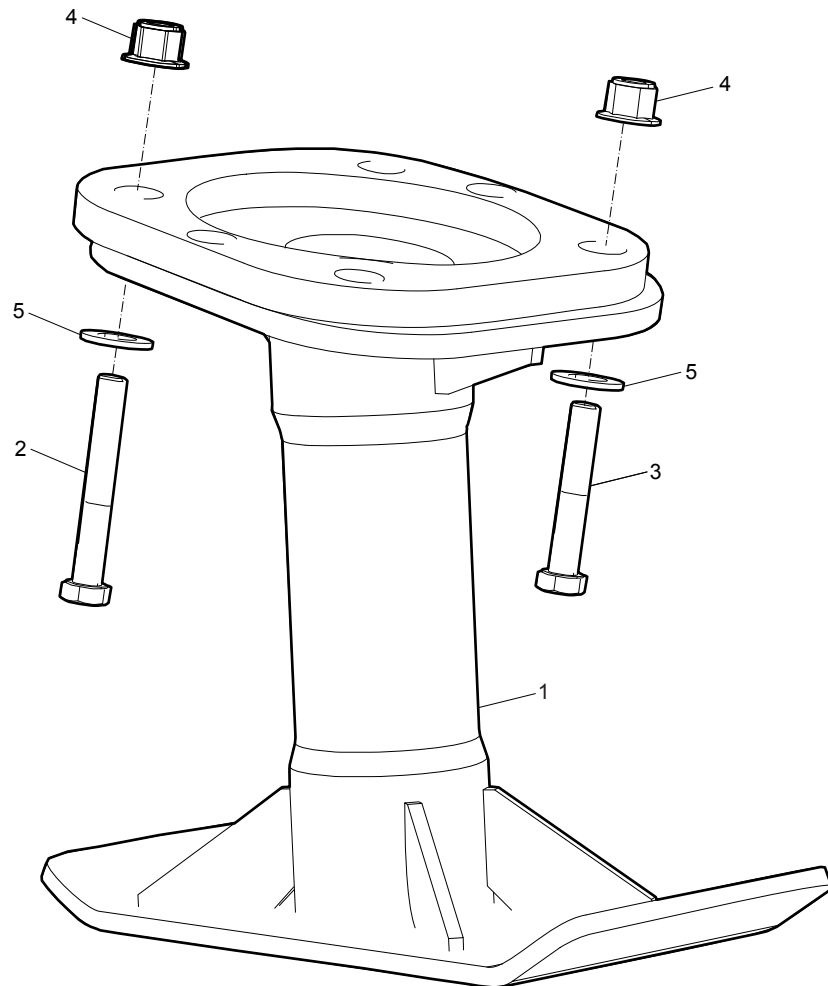


No.	Description	Remark	Quantity	Part number
1	Ground plate	280 mm 11 in.	1	4700 3823 71
2	Foot	280 mm 11 in.	1	4700 3823 66
3	Screw	M8 x 50 mm 8.8 NYLOK BLUE PATCH™ (Known as TUF-LOK® in Europe)	8	4700 7913 31
4	Nut	M8 x 1.25 mm A2K	8	-
5	Screw	M12 x 150 mm 10.9 GEOMET®	2	4700 7913 39
6	Screw	M12 x 100 mm 10.9 GEOMET®	2	4700 7910 85
7	Screw	M12 x 110 mm 10.9 GEOMET®	2	4700 7913 37
8	Nut	M12 x 1.75 mm A3K	6	-
9	Washer	8.4 x 22 x 3 mm 0.33 x 0.87 x 0.12 in. HV300	8	-

NYLOK BLUE PATCH is a trademark of Nylok Corporation. TUF-LOK is a registered trademark of Nylok Corporation in Europe.

GEOMET is a registered trademark of Nof Metal Coatings North America Inc.

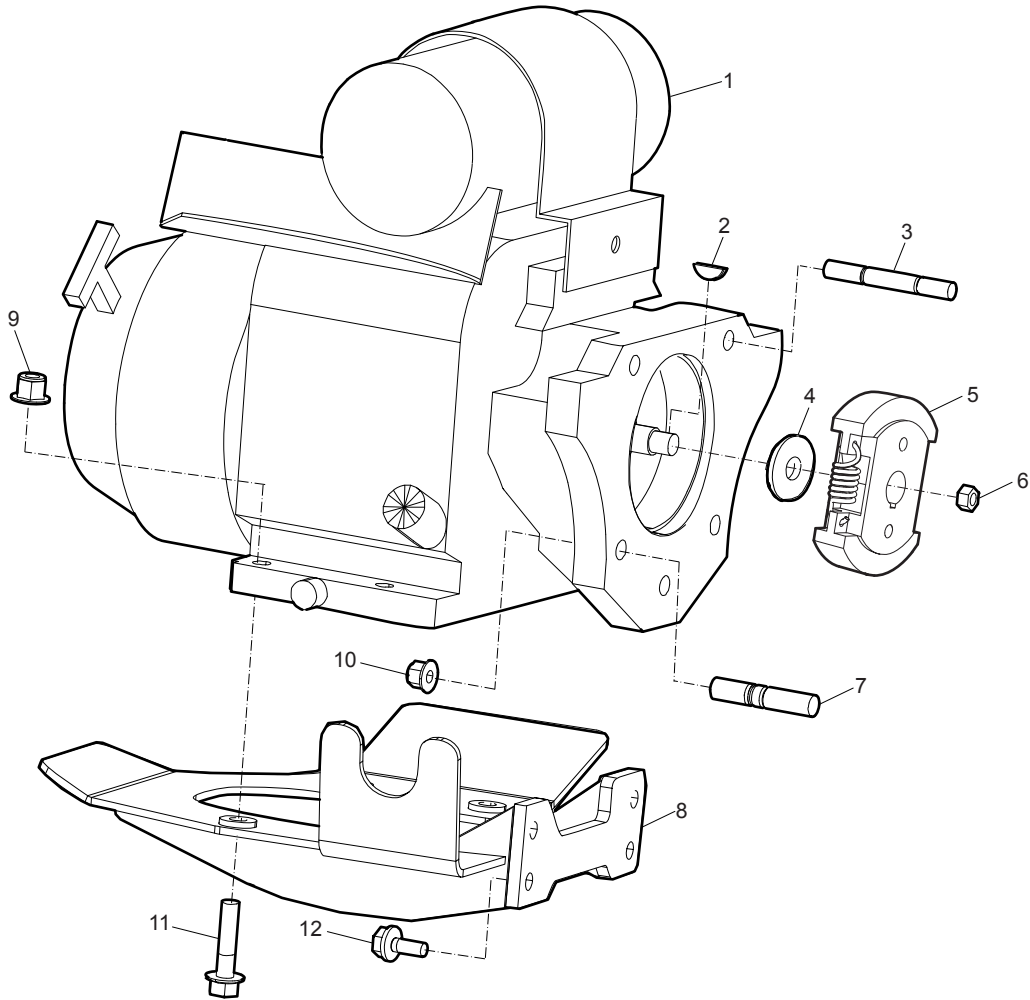
Extended foot



No.	Description	Remark	Quantity	Part number
1	Extended foot		1	4700 3899 80
2	Screw	M12 x 90 mm 10.9 GEOMET®	2	4700 9281 98
3	Screw	M12 x 70 mm 10.9 GEOMET®	4	4700 9037 35
4	Nut	M12 x 1.75 mm A3K	6	-
5	Washer	13 x 24 x 2 mm 0.51 x 0.98 x 0.08 in. 300 HV	6	-

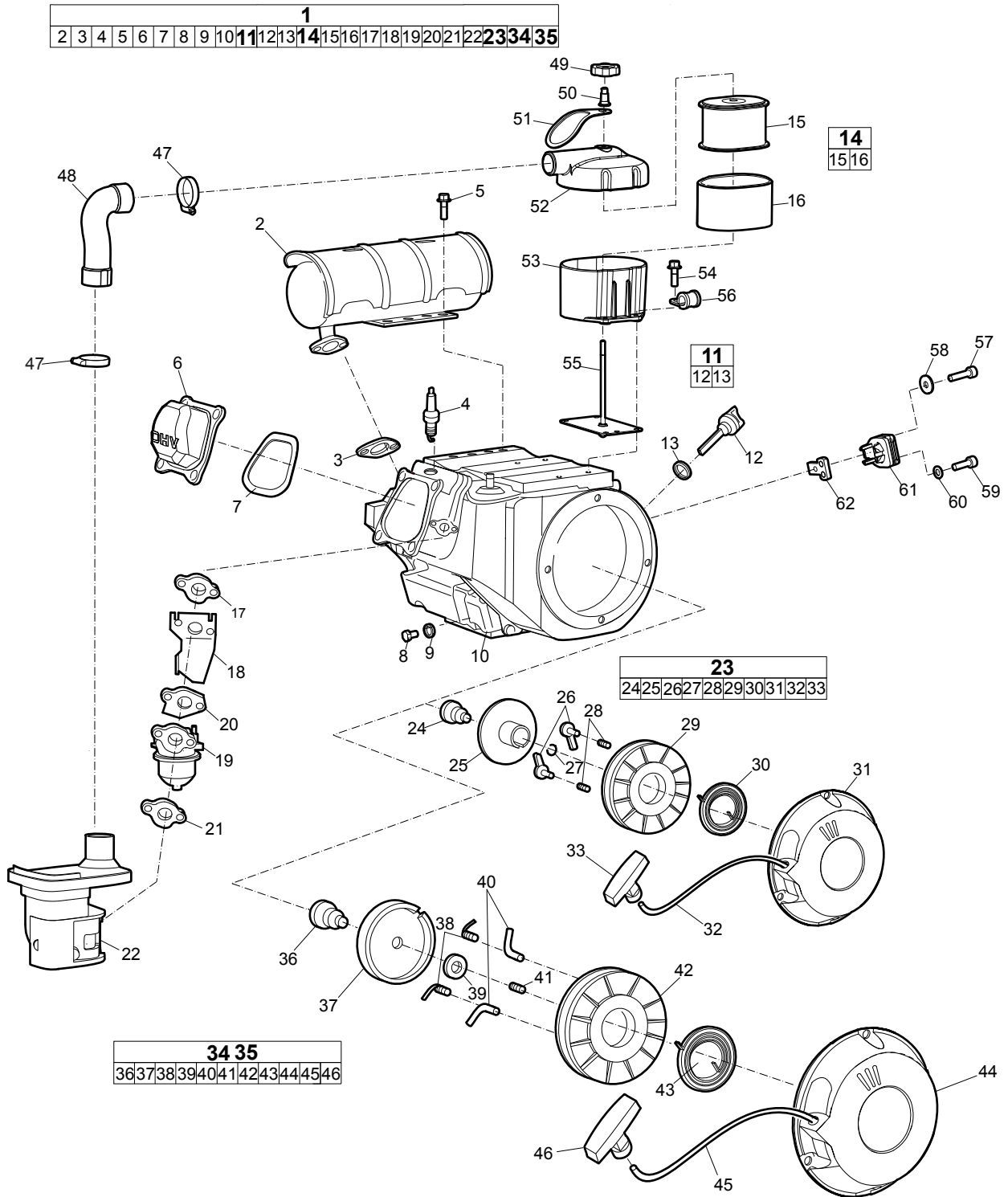
GEOMET is a registered trademark of Nof Metal Coatings North America Inc.

Engine installation



No.	Description	Remark	Quantity	Part number
1	Engine	Honda GX120RT2 KRS6 SD	1	4700 3875 34
2	Key		1	4700 3849 92
3	Stud		1	4700 9393 47
4	Washer		1	4700 9042 32
5	Centrifugal clutch, complete		1	3382 0108 62
6	Nut	M12 x 1.25 mm A3K	1	-
7	Stud	M10 x 52 mm	3	4700 9392 46
8	Engine stay		1	4812 0700 39
9	Nut	M8 x 1.25 mm A2K	4	-
10	Nut	M10	4	-
11	Screw	M8 x 40 mm 8.8 A2K	4	-
12	Screw		4	-

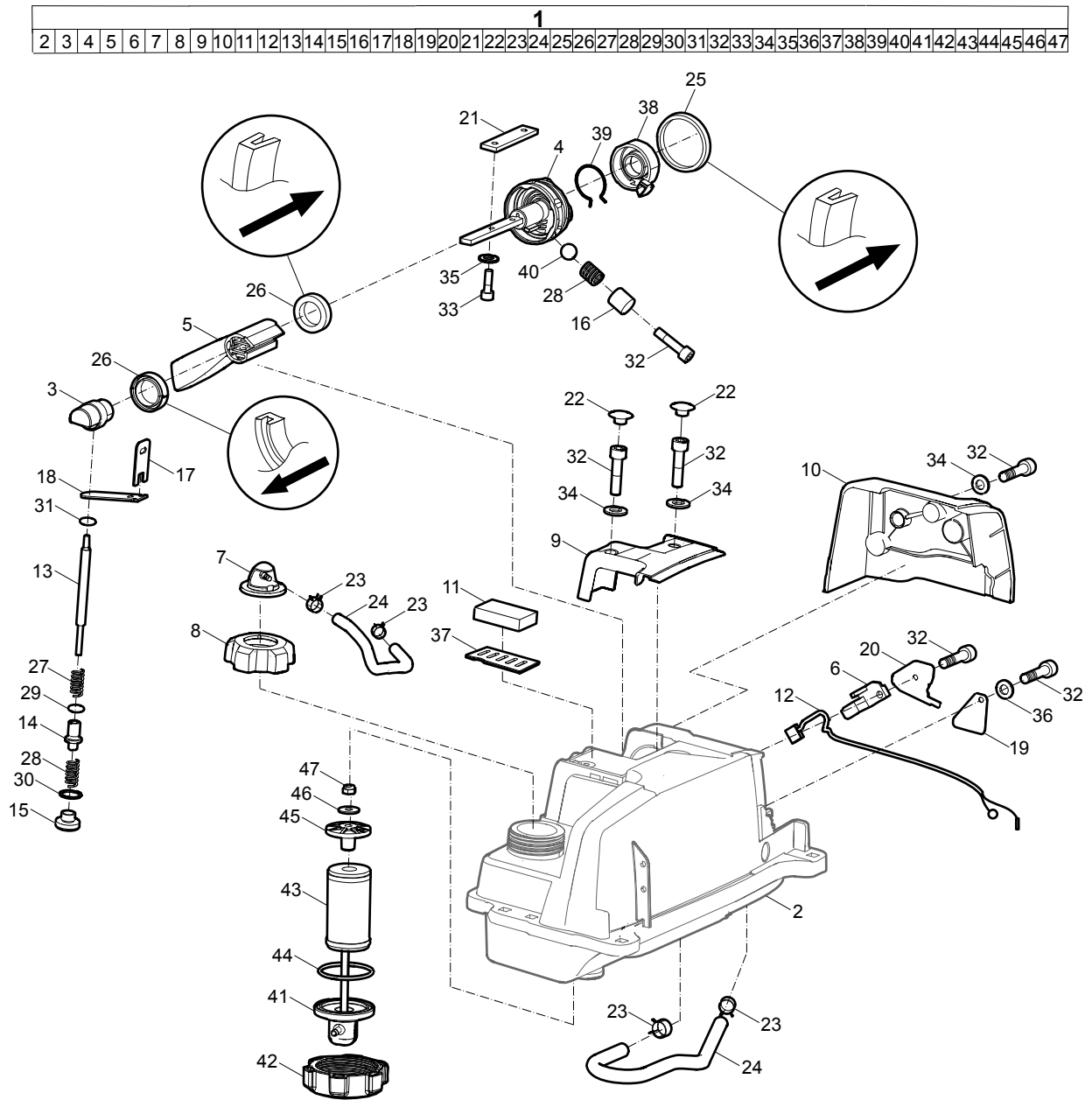
Engine, Honda GX 120 RT2 KRS6 SD



No.	Description	Remark	Quantity	Part number
1(2-10,11,14,17-22,23,34,35)	Engine, complete		1	4700 3875 34
2	Silencer		1	3382 1002 80
3	Gasket		1	4700 2390 63
4	Spark plug		1	4700 9377 16
5	Screw	M6 x 16 mm	2	-
6	Valve cover		1	4700 9379 17
7	Valve cover gasket		1	4700 2383 01
8	Drain plug		2	4700 2383 02
9	Gasket		2	4700 2383 03
10	Engine part		1	1010 1010 10
11(12-13)	Oil dipstick, complete		1	3382 1001 65
12	Oil dipstick		1	-
13	Gasket		1	3382 1001 66
14(15-16)	Air filter, complete		1	4700 2393 23
15	Inner filter		1	-
16	Outer filter		1	-
17	Gasket		1	4700 9370 50
18	Insulator		1	3382 1002 81
19	Carburetor		1	3382 1002 82
20	Gasket		1	4700 9370 48
21	Spacer		1	4700 9396 59
22	Air filter housing		1	3382 1002 83
23(24-33)	Recoil starter, complete	Old verison.	1	4700 2390 65
24	Adjustment screw		1	4700 2393 81
25	Guide		1	4700 2393 80
26	Ratchet		2	4700 2393 78
27	Friction spring		1	4700 2393 79
28	Spring		2	4700 2393 77
29	Reel		1	4700 2393 76
30	Spring		1	4700 2393 75
31	Housing		1	-
32	Rope		1	4700 2393 74
33	Handle		1	4700 2393 91
34	Recoil starter, complete	New version, coloured red Consist of item 36 to 46.	1	3382 1002 84
35(36-46)	Recoil starter, complete	New version, coloured black Consist of item 36 to 46.	1	3382 1002 85
36	Adjustment screw		1	4700 2393 81
37	Guide		1	3382 1001 91
38	Spring		2	3382 1001 92
39	Friction washer		1	3382 1001 70
40	Ratchet		2	3382 1001 69
41	Friction spring		1	3382 1001 75
42	Reel		1	3382 1002 86
43	Spring		1	4700 2393 75
44	Housing		1	-
45	Rope		1	4700 2393 74
46	Handle		1	3382 1002 87
47	Clamp		2	4700 7927 40
48	Hose		1	4700 3868 98
49	Knob		1	4700 7915 55
50	Bushing		1	4700 3877 24
51	Holder		1	4700 3877 39

No.	Description	Remark	Quantity	Part number
52	Cover		1	4700 3868 95
53	Air filter housing		1	4700 3868 96
54	Screw	M6 x 20 mm 8.8 A2K	4	-
55	Bracket		1	4700 3868 97
56	Pipe clamp		1	4700 9210 68
57	Screw		1	-
58	Washer	5.3 x 15 x 1.6 mm 0.21 x 0.6 x 0.06 in.	1	-
59	Screw	M5 x 16 mm	1	-
60	Washer	5.3 x 10 x 1 mm 0.21 x 0.4 x 0.04 in.	1	-
61	Cable holder		1	4700 3873 92
62	Plate		1	4700 3873 93

Fuel tank

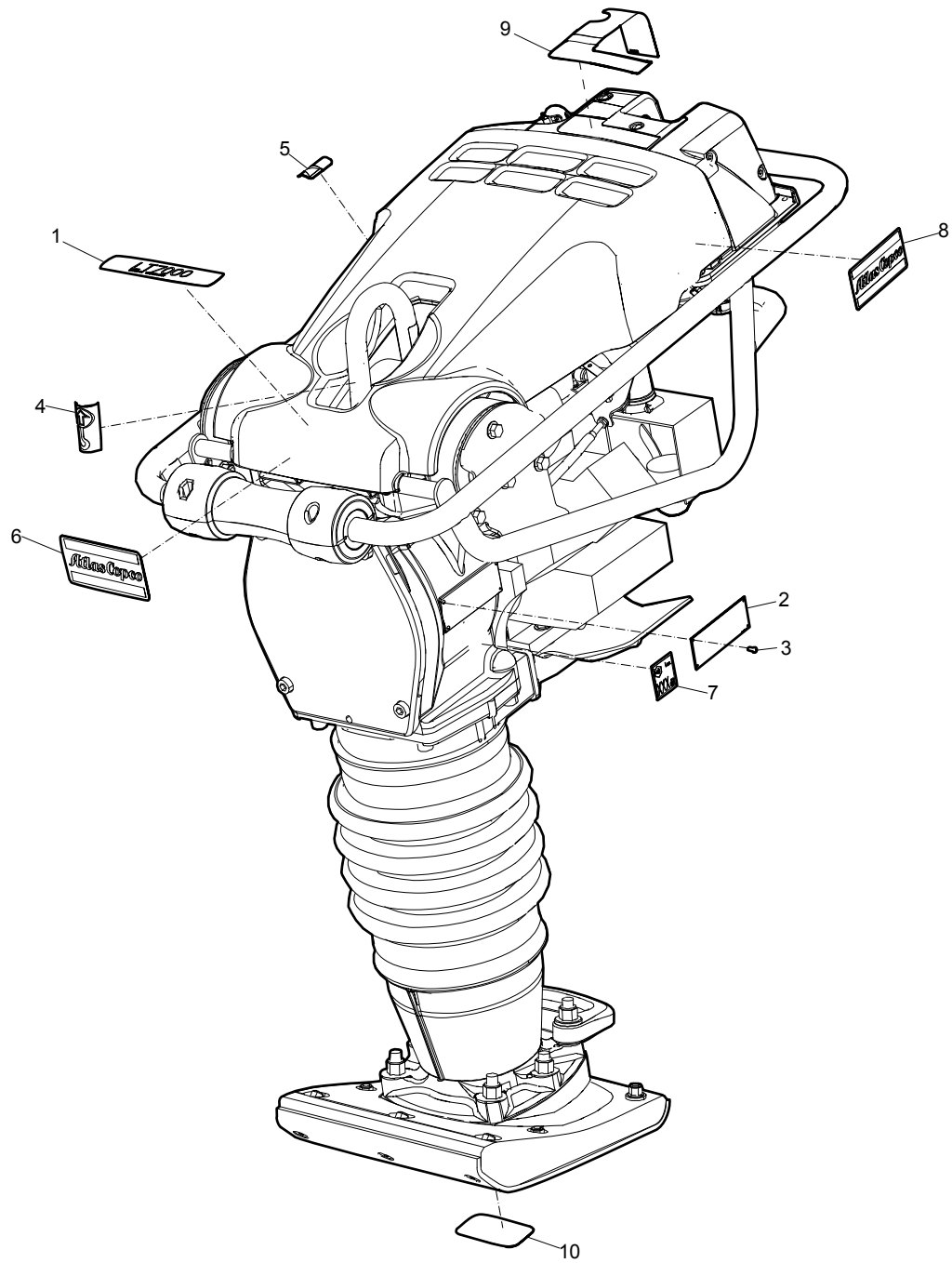


No.	Description	Remark	Quantity	Part number
1(2-47)	Fuel tank, complete		1	4700 3933 99
2	Tank		1	-
3	Eccentric stud		1	4700 3850 30
4	Positioner		1	4700 3793 83
5	Handle		1	4700 3850 24
6	Bracket		1	4700 3850 26
7	Air inlet cover		1	4700 3850 19
8	Fuel cap		1	4700 3837 18
9	Cover		1	4700 3850 17
10	Cover		1	4700 3850 13
11	Filter		1	4700 3850 38
12	Micro switch		1	4700 3840 06
13	Valve shaft		1	4700 3837 26
14	Fuel valve		1	4700 3837 24
15	Plug		1	4700 3837 20
16	Bushing		1	4700 3861 48
17	Plate		1	4700 3850 33
18	Plate		1	4700 3837 28
19	Bracket		1	4700 3850 34
20	Bracket		1	4700 3849 41
21	Plate		1	4700 3849 50
22	Plug		2	4700 7913 24
23	Hose clamp		4	4700 7915 74
24	Hose		2	4700 7926 13
25	Sealing		1	4700 7913 30
26	Sealing		2	4700 7913 29
27	Spring	1.3 x 6.5 x 25 mm 0.05 x 0.26 x 0.98 in.	1	4700 7914 98
28	Spring	1.6 x 12 x 26.5 mm 0.06 x 0.47 x 1.04 in.	2	4700 7914 99
29	O-ring	8 x 2.5 mm 0.31 x 0.10 in. FPM Viton® (60 shore)	1	4700 7913 26
30	O-ring	22 x 2.5 mm 0.87 x 0.10 in. FPM 592 Viton®	1	4700 7913 28
31	O-ring	5.3 x 2.4 mm 0.21 x 0.09 in. FPM Viton® (70 shore)	1	4700 7913 27
32	Screw	M6 x 25 mm 8.8 A2K	7	-
33	Screw	M5 x 16 mm 8.8 A2K	2	-
34	Washer	6.4 x 12 x 1.5 mm 0.25 x 0.47 x 0.06 in. 300 HV	4	-
35	Washer	5.3 x 10 x 1 mm 0.21 x 0.39 x 0.04 in. 300 HV	1	-
36	Washer	6.4 x 18 x 1.6 mm 0.25 x 0.71 x 0.06 in.	1	-
37	Plate		1	4700 3884 99
38	Retainer		1	4700 3793 84
39	Spring		1	4700 3794 04
40	Ball		1	4700 7913 25
41	Bracket		1	4700 3908 03
42	Cover		1	4700 3908 04
43	Fuel filter		1	4700 3952 38
44	O-ring	43 x 3 mm 1.69 x 0.12 in. FPM 80 Viton® (90 shore)	1	4700 7925 14
45	Bushing		1	4700 3908 02
46	Washer	6 x 18 x 2 mm 0.24 x 0.71 x 0.08 in. 300 HV	1	-

No.	Description	Remark	Quantity	Part number
47	Nut	M6 DIN985	1	-

Viton is a registered trademark of DuPont Performance Elastomers LLC.

Labels



No.	Description	Remark	Quantity	Part number
1	Product label	"LT7000"	1	3382 0105 37
2	Data plate		1	-
3	Screw	KDS 2 x 5 mm	4	-
4	Label	Lifting point	2	4700 3575 87
5	Safety label	Hot surfaces	1	4700 9043 66
6	Product label	"Atlas Copco"	1	3382 0100 38
7	Label	Sound power level	1	4700 7912 95
8	Product label	"Atlas Copco"	2	3382 0100 39
9	Label	Start/Operating/Stop	1	4700 3854 95
10	Safety label	Compressed spring package	1	4700 3771 25

Kits

One year service kit

One year service kit

Part number 4812 1555 58

Description	Remark	Quantity	Part number
Spark plug		1	4700 9374 76
Air filter		5	4700 2393 23
Gasket	For oil plug	1	4700 2383 03
Starter rope		1	4700 2393 74
Gasket	For valve cover	1	4700 2383 01
Fuel filter		2	4700 9354 38

Shock absorber repair kit

Description	Remark	Quantity	Part number
Shock absorber repair kit		1	4812 1552 81
Nut	M8 x 1.25 mm A2K	8	-
Screw	M8 x 20 mm 8.8 A2K	4	-
Screw	M8 x 25 mm 8.8 A2K	4	-
Shock absorber		2	4700 3867 85
Cylindrical pin		4	4700 7913 23

Transmission repair kit

Description	Remark	Quantity	Part number
Transmission repair kit		1	4812 1552 83
Needle roller bearing		1	4700 9049 50
Deep groove ball bearing		1	4700 1110 78
Retaining ring for shaft		1	4700 1500 09
Needle roller bearing		1	4700 9049 49
Retaining ring for shaft		2	4700 1500 14
Deep groove ball bearing		2	4700 9035 20
Retaining ring for hole		2	4700 1510 25
Radial lip-type seal		1	4700 9049 52
Nut	M12 x 1.25 mm A3K	1	-
O-ring	210 x 3 mm 8.27 x 0.12 in. (70 shore)	1	4700 1601 06
Screw	M10 x 25 mm 8.8 A3K	4	-
O-ring	104.5 x 3 mm 4.11 x 0.12 in. (70 shore)	1	4700 1600 35
Washer	10.5 x 22 x 2 mm 0.41 x 0.87 x 0.08 in. 300 HV	4	-
Screw	M10 x 35 mm 8.8 A3K	4	-
Washer	8.4 x 26 x 3 mm 0.33 x 1.02 x 0.12 in.	1	-
Screw	M8 x 25 mm 8.8 A2K	1	-

Spring unit repair kit

Description	Remark	Quantity	Part number
Spring unit repair kit		1	4812 1552 84
Spring		2	4700 3808 95
Spring		2	4700 3808 94
Stop		1	4700 3808 99
Stop		1	4700 3809 02
Screw	M8 x 20 mm 8.8 A2K	6	-
Gasket		1	4700 3836 66
O-ring	129.5 x 3 mm 5.10 x 0.12 in. (70 shore)	1	4700 1600 54
Washer	8.7 x 14 x 1 mm 0.32 x 0.04 in. Type A	6	-
Fibre washer	27 x 32 x 2 mm 1.06 x 1.26 x 0.08 in.	1	-

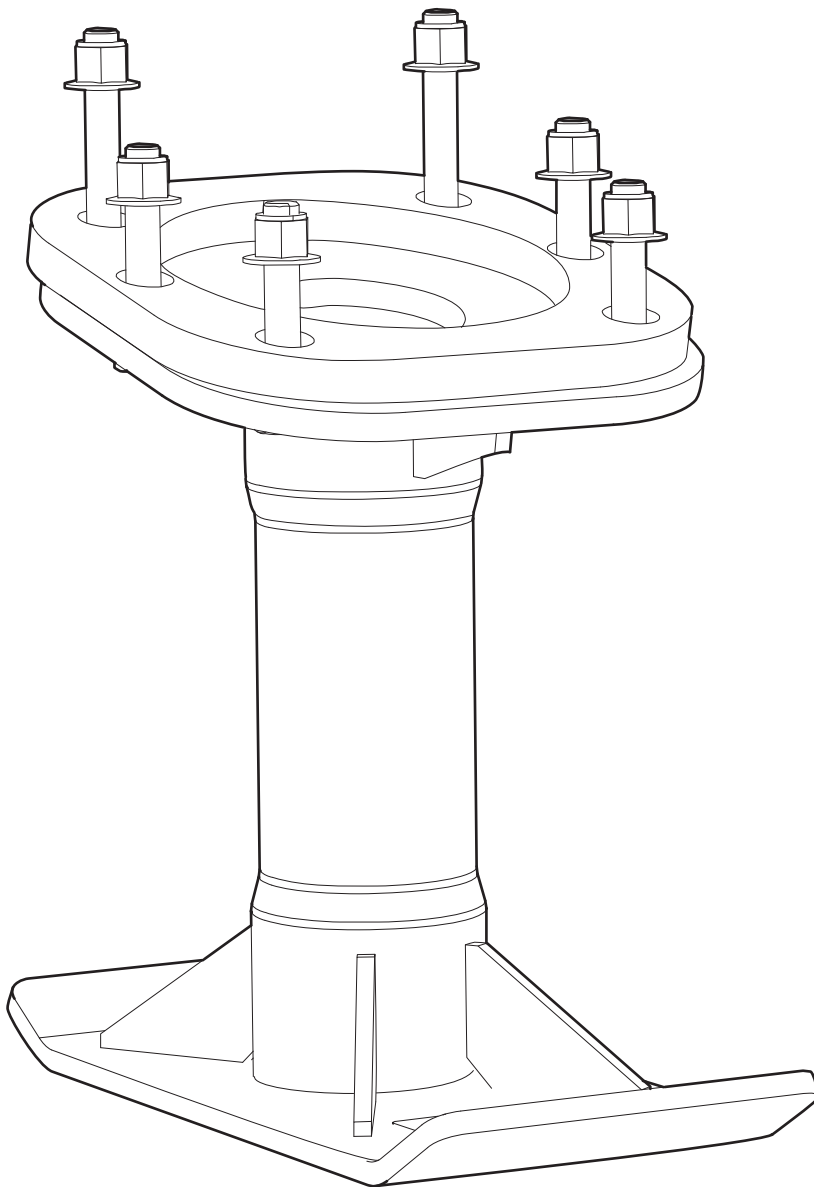
Foot 280 mm (11 in.) repair kit

Description	Remark	Quantity	Part number
Foot 280 mm (11 in.) repair kit		1	4700 9391 83
Ground plate	280 mm 11 in.	1	4700 3823 71
Foot	280 mm 11 in.	1	4700 3823 66
Screw	M8 x 50 mm 8.8 NYLOK BLUE PATCH™ (Known as TUF-LOK® in Europe)	8	4700 7913 31
Nut	M8 x 1.25 mm A2K	8	-
Screw	M12 x 150 mm 10.9 GEOMET®	2	4700 7913 39
Screw	M12 x 100 mm 10.9 GEOMET®	2	4700 7910 85
Screw	M12 x 110 mm 10.9 GEOMET®	2	4700 7913 37
Nut	M12 x 1.75 mm A3K	8	-
Washer	8.4 x 22 x 3 mm 0.33 x 0.87 x 0.12 in. HV300	8	-

NYLOK BLUE PATCH is a trademark of Nylok Corporation. TUF-LOK is a registered trademark of Nylok Corporation in Europe.

GEOMET is a registered trademark of Nof Metal Coatings North America Inc.

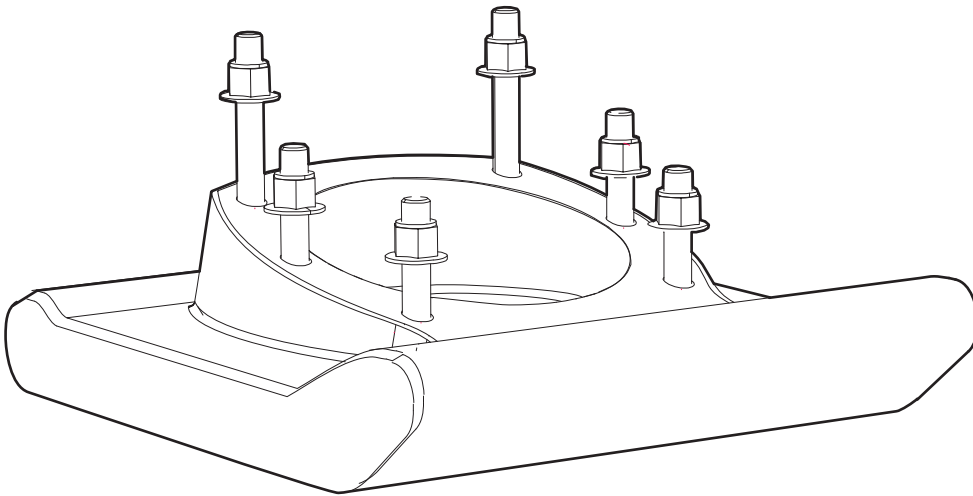
Extended foot kit



Description	Remark	Quantity	Part number
Extended foot kit		1	4700 3771 28
Foot		1	-
Screw	M12 x 90 mm 10.9 GEOMET®	2	-
Screw	M12 x 70 mm 10.9 GEOMET®	4	-
Nut	M12	6	-
Washer	13 x 24 x 2 mm 0.51 x 0.98 x 0.08 in. 300 HV	6	-
Label	Direction	1	-

GEOMET is a registered trademark of Nof Metal Coatings North America Inc.

Silent foot 280 mm (11 in.) kit



Description	Remark	Quantity	Part number
Silent foot 280 mm (11 in.) kit		1	3382 0106 65
Foot		1	-
Nut	M12 x 1.75 mm A3K	6	-



Any unauthorized use or copying of the contents or any part thereof is prohibited.
This applies in particular to trademarks, model denominations, part numbers, and
drawings.

© 2013 Atlas Copco Construction Tools AB | No. 9800 1146 01e | 2013-10-21

www.atlascopco.com